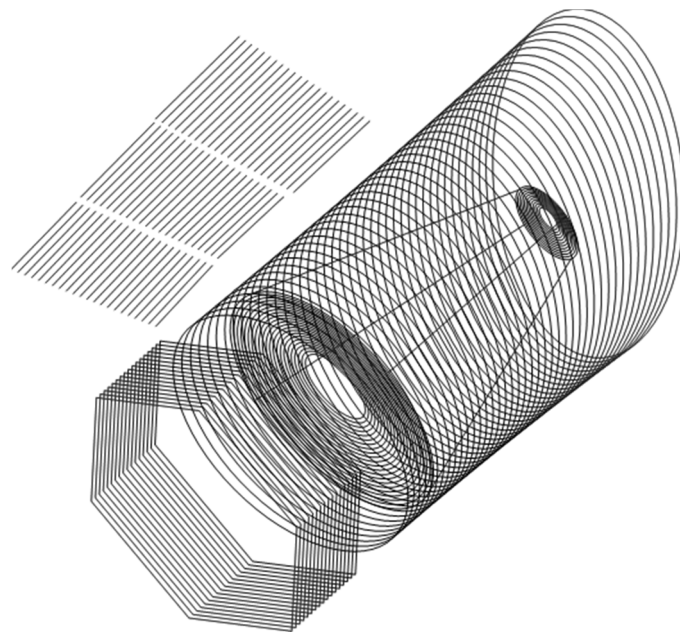


SPICA Science Conference 2013

**From Exoplanets to Distant Galaxies:
SPICA'S NEW WINDOW
on the Cool Universe**

**Conference Programme
&
Abstracts**



**June 18 - 21, 2013
The Ito Hall, the University of Tokyo, Tokyo
Japan**

15:20 – 15:40 Luigi Spinoglio SPICA spectroscopic cosmological surveys to unravel galaxy evolution
15:40 – 16:10 Lee Armus (I) Luminous Infrared Galaxies at Low and High Redshift and the Promise of SPICA

16:10 – 16:30 *Coffee break*

Chair **Peter Roelfsema**

16:30 – 16:50 Philip Noel Mid- and Far-IR Cooling Lines in Violently Turbulent Environments: From Spitzer/Herschel to the hi-z world
16:50 – 17:10 Duncan Farrah Mid- to far-infrared diagnostics of AGN feedback
17:10 – 17:40 Tomotsugu Goto Cosmic star formation history and AGN evolution: from AKARI to SPICA
17:40 – 18:00 Takehiko Wada PAH view of starburst galaxies: AKARI to SPICA

18:00 – 19:30 Poster session (1) w/ reception drinks

● Wednesday, June 19th, 2013

[Science Session 1: Galaxy Formation and Evolution as Revealed in the Infrared]

Chair	Lee Armus	
9:00 – 9:20	Hanae Inami	Observing mid-infrared atomic fine-structure emission lines of U/LIRGs with SPICA
9:20 – 10:10	Dieter Lutz (I)	Far-infrared galaxy evolution surveys with Herschel
10:10 – 10:30	Veronique Buat	Far infrared properties of UV selected galaxies from $z = 4$ to 1.5: unveiling obscured star formation
10:30 – 10:50		<i>Coffee break</i>
Chair	Myungshin Im	
10:50 – 11:10	Denis Burgarella	On the Redshift Evolution ($0 < z < 4$) of Dust Attenuation and of the Total (UV+IR) Star Formation Rate Density
11:10 – 11:30	Mattia Negrello	Predictions for SPICA/SAFARI based on an hybrid model for the evolution of galaxies and Active Galactic Nuclei in the infrared
11:30 – 11:50	Jong-Hak Woo	Selection bias in the relation between AGN and star formation luminosities
11:50 – 12:10	Shinki Oyabu	Extra-galactic studies with the SCI: AGNs and nuclear starburst galaxies
12:10 – 14:00		<i>Lunch break</i>
Chair	Eckhard Sturm	
14:00 – 14:20	Jonathan Davies	Herschel far infrared surveys of nearby galaxy clusters
14:20 – 14:40	Etienne Pointecouteau	Clusters of galaxies and beyond: from Planck and Herschel to SPICA
14:40 – 15:00	Agnieszka Pollo	SPICA: a new window to understand links between cosmology and galaxy evolution
15:00 – 15:20	Eiichi Egami	Pushing SPICA's Limit with Gravitational Lensing
15:20 – 15:40		<i>Coffee break</i>

● Thursday, June 20th, 2013

[Science Session 2:

The Cycling of Matter Between Stars, Galaxies and the Intergalactic Medium]

Chair	Hidehiro Kaneda	
9:00 – 9:20	Toshiya Ueta	Herschel Planetary Nebula Survey (HerPlaNS): Spatially-Resolved Simultaneous Probing of the Dust and Gas Components of the Circumstellar Environs
9:20 – 9:40	Itsuki Sakon	Understanding the role of massive stars on the dusty ISM environment in galaxies aimed by observations with SPICA
9:40 – 10:00	Mikako Matsuura	SPICA studies of supernovae
10:00 – 10:30	Ciska Kemper (I)	SPICA's view on star formation and the interstellar medium
10:30 – 10:50		<i>Coffee break</i>
Chair	Takao Nakagawa	
10:50 – 11:10	Walter Gear	Herschel far-infrared observations of M31 the Andromeda Galaxy
11:10 – 11:30	Takuma Izumi	The synergy with SPICA and ALMA - for a robust AGN diagnostic
11:30 – 11:50	Ji Yeon Seok	PAH emission from HII regions in the SAGE-Spec Spitzer program
11:50 – 12:10	Hiroyuki Hirashita	SPICA observations in the era of ground-based THz astronomy
12:10 – 14:00		<i>Lunch break</i>
Chair	Daehee Lee	
14:00 – 14:30	Young-Chol Minh (I)	Study on the interstellar OH radical in mid-IR
14:30 – 14:50	Kay Justtanont	Evidence of hot-bottom-burning in extreme OH/IR stars
14:50 – 15:10	Sundar Srinivasan	Identifying the chemistry of the dust around asymptotic giant branch stars in nearby galaxies

15:10 – 15:30 Poshak Gandhi Probing the formation of relativistic jets in real-time with SPICA

15:30 – 15:50 *Coffee break*

[Special Talk 3]

Chair Motohide Tamura

15:50 – 16:20 Toru Yamada (I) Studying Galaxy Formation with SPICA and Future Extremely Large Telescopes

[Science Session 3:

Planet Formation and Detection/Characterization of Exoplanets]

Chair Motohide Tamura

16:20 – 17:10 Michihiro Takami (R) Studies of exoplanets and solar systems using SPICA: an overview

17:10 – 17:40 Javier R. Goicoechea (I) The far-IR view of Star Forming Regions: in route to SPICA

17:40 – 18:00 Rens Waters Results from the HERSCHEL DIGIT open time key program

19:00 – 21:00 *Banquet (Hotel Chinzanso Tokyo)*

● Friday, June 21st, 2013

[Science Session 3:

Planet Formation and Detection/Characterization of Exoplanets]

Chair	Keigo Enya	
9:00 – 9:30	Shigeru Ida (I)	Wide separation jupiters and their implications for planet formation theory
9:30 – 10:00	Misato Fukagawa (I)	Current understanding of young circumstellar disks
10:00 – 10:20	Daisuke Ishihara	Evolution of solid materials in planet-forming disks -From AKARI to SPICA
10:20 – 10:40		<i>Coffee break</i>
Chair	Hirokazu Kataza	
10:40 – 11:00	Bruce Sibthorpe	Debris discs: From Herschel to SPICA
11:00 – 11:20	Takashi Onaka	Warm debris disks with SPICA
11:20 – 11:40	Takayuki Kotani	Exoplanet science with the SPICA Coronagraph Instrument
11:40 – 12:00	Rene Liseau	Asteroid Dust around Solar Type Stars with SPICA
12:00 – 12:30	Thijs de Graauw	Conference Summary (with discussions)
12:30		<i>Sayonara !!</i>

(R): Review talk, (I): Invited talk